

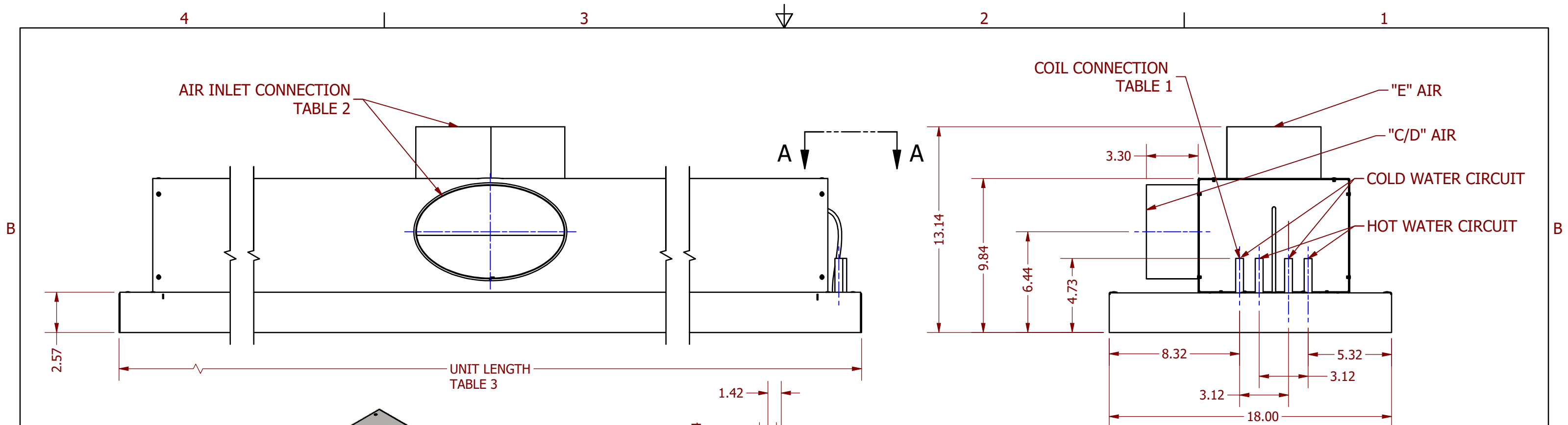
NOM UNIT LENGTH (FT)	OVERALL LENGTH (in)	DRY WEIGHT (LB)	WET WEIGHT (LB)
2	24.00	27.6	28.4
4	48.00	51.2	53.0
6	72.00	75.3	78.1
8	96.00	98.5	102.3
10	120.00	121.8	126.5

Ø1/2" O.D. SWT CONNECTION	<input type="checkbox"/>
Ø1/2" FEMALE NPT CONNECTION	<input type="checkbox"/>
Ø1/2" MALE NPT CONNECTION	<input type="checkbox"/>

REF.	DIAMETER	AVAILABLE LOCATIONS
4" ROUND	4.00"	SIDE OR TOP
6" ROUND	6.00"	SIDE OR TOP
8" ROUND	8.00"	TOP ONLY
8" ELLIPTICAL	9.38"X6.43"	SIDE ONLY
10" OVAL	12.75"X4.6"	SIDE ONLY

- NOTES:**
- DRAWING INDICATES G-B AND H-A (AIR-COIL) CONNECTION CONFIGURATIONS/HANDIGNS (REFER TO MODEL HANDINGS CONFIGURATION KEY FOR AVAILABLE OPTIONS).
 - FACE COLOR WILL BE STANDARD WHITE UNLESS SPECIFIED OTHERWISE.
 - EITHER PIPE CAN BE USED FOR SUPPLY OR RETURN FOR EACH CIRCUIT.
 - DRAWING SHOWS ACB55 WITH COANDA WING ON SUPPLY AIR SIDE ONLY. ALSO AVAILABLE WITH COANDA WINGS ON BOTH SIDES, WITH 24" OVERALL WIDTH (IDENTICAL APPEARANCE TO ACB45_ACW).

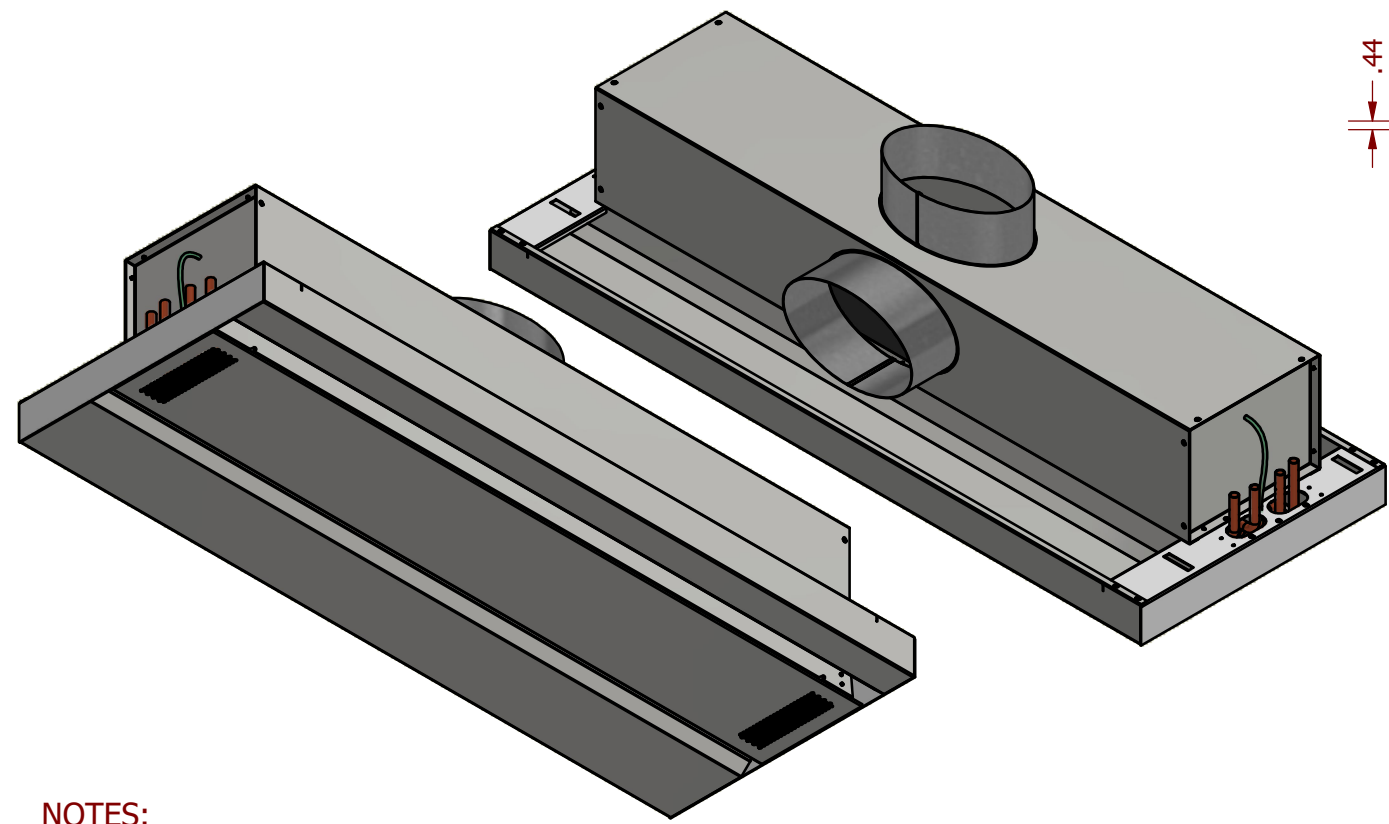
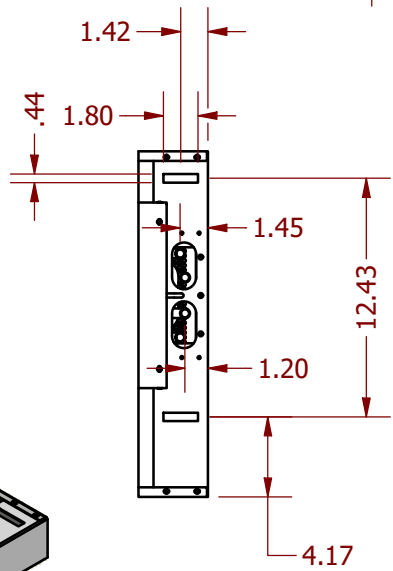
PROJECT ACB55_ACW SUBMITTAL DRAWING			
STRICTLY CONFIDENTIAL		DADANCO - A MESTEK CO.	
DADANCO - A MESTEK CO. 47 Westfield Industrial Park Rd WESTFIELD, MA 01085 Ph. (413) 564-5657, Fax. (413) 568-2969 www.dadanco.com		TITLE ACB55_ACW_2PIPE_SUBMITTAL	
DRN	YL	02/25/2021	PROJECT NO: ACB55_ACW
CKD	DL	02/25/2021	
APPD	AK	02/25/2021	
ISSUED			File Name: ACB55_2PIPE_ACW_SUBMITTAL.iam
UNLESS NOTED OTHERWISE ALL DIMENSIONS IN INCHES ANGULAR TOL: 1.0° LINEAR TOL: ±0.02"		ANSI STANDARD	SCALE: NTS
			RELEASE A



NOM UNIT LENGTH (FT)	OVERALL LENGTH (in)	DRY WEIGHT (LB)	WET WEIGHT (LB)
2	24.00	27.6	28.4
4	48.00	51.2	53.0
6	72.00	75.3	78.1
8	96.00	98.5	102.3
10	120.00	121.8	126.5

Ø1/2" O.D. SWT CONNECTION	<input type="checkbox"/>
Ø1/2" FEMALE NPT CONNECTION	<input type="checkbox"/>
Ø1/2" MALE NPT CONNECTION	<input type="checkbox"/>

REF.	DIAMETER	AVAILABLE LOCATIONS
4" ROUND	4.00"	SIDE OR TOP
6" ROUND	6.00"	SIDE OR TOP
8" ROUND	8.00"	TOP ONLY
8" ELLIPTICAL	9.38"X6.43"	SIDE ONLY
10" OVAL	12.75"X4.6"	SIDE ONLY



- NOTES:**
- DRAWING INDICATES G-B AND H-A (AIR-COIL) CONNECTION CONFIGURATIONS/HANDIGNS (REFER TO MODEL HANDINGS CONFIGURATION KEY FOR AVAILABLE OPTIONS).
 - FACE COLOR WILL BE STANDARD WHITE UNLESS SPECIFIED OTHERWISE.
 - EITHER PIPE CAN BE USED FOR SUPPLY OR RETURN FOR EACH CIRCUIT.
 - DRAWING SHOWS ACB55 WITH COANDA WING ON SUPPLY AIR SIDE ONLY. ALSO AVAILABLE WITH COANDA WINGS ON BOTH SIDES, WITH 24" OVERALL WIDTH (IDENTICAL APPEARANCE TO ACB45_ACW).

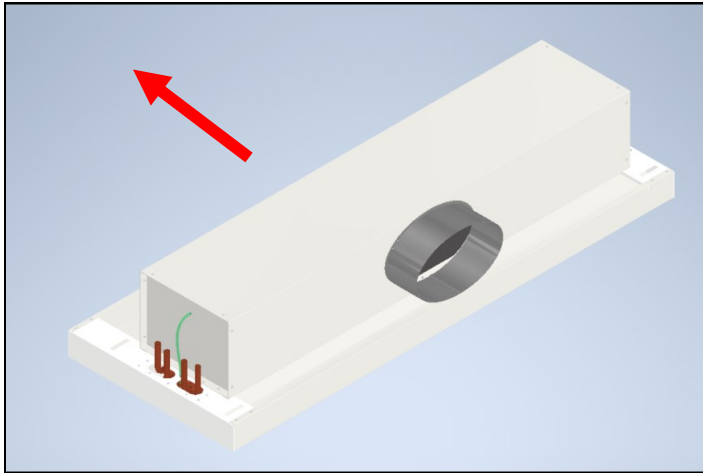
PROJECT ACB55_ACW SUBMITTAL DRAWING			
STRICTLY CONFIDENTIAL		DADANCO - A MESTEK CO.	
DADANCO - A MESTEK CO. 47 Westfield Industrial Park Rd WESTFIELD, MA 01085 Ph. (413) 564-5657, Fax. (413) 568-2969 www.dadanco.com		TITLE	
DRN	YL	02/25/2021	ACB55_ACW_4PIPE_SUBMITTAL
CKD	DL	02/25/2021	
APPD	AK	02/25/2021	
ISSUED			
UNLESS NOTED OTHERWISE ALL DIMENSIONS IN INCHES ANGULAR TOL: 1.0° LINEAR TOL: ±0.02"		ANSI STANDARD	
		PROJECT NO: ACB55_ACW	File Name: ACB55_4PIPE_ACW_SUBMITTAL.iam
		SCALE: NTS	SHEET: 1 / 1
		RELEASE A	

AIR AND COIL CONFIGURATION KEY

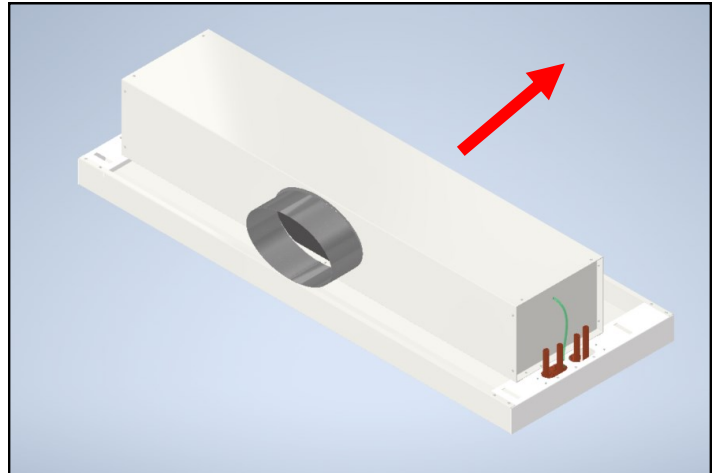
ACB55 (ACW) MODEL

SIDE DUCT CONNECTION

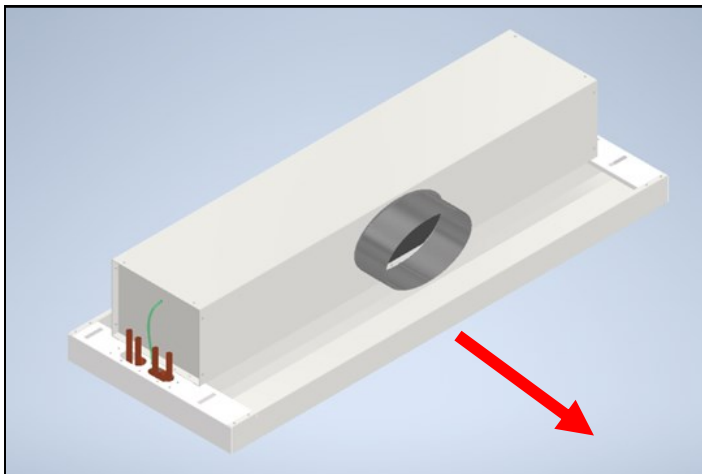
Available Connection Sizes: 4", 5", 6" Round, 8" Elliptical, 10" Oval



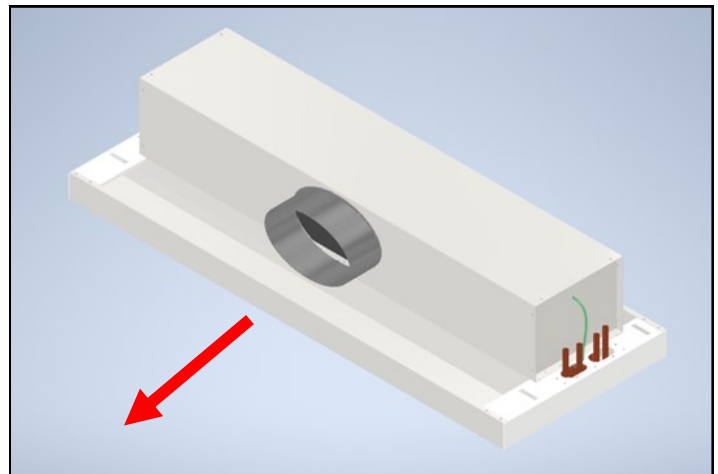
AIR: F
COIL: A



AIR: F
COIL: B



AIR: G
COIL: A



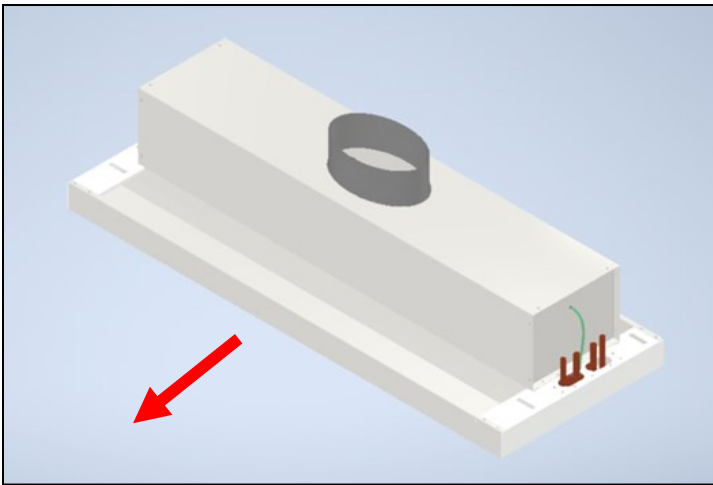
AIR: G
COIL: B

AIR AND COIL CONFIGURATION KEY

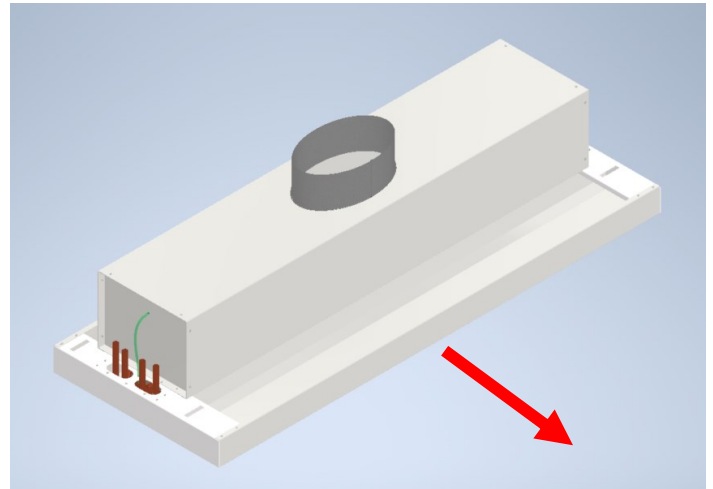
ACB55 (ACW) MODEL

TOP DUCT CONNECTION

Available Connection Sizes: 4", 5", 6", 8" Round



AIR: H
COIL: A



AIR: H
COIL: B

Red Arrow Indicates Direction of Supply Airflow

NOTE:

18" width version shown here, with coanda wing only on side of supply air. ACB55 (ACW) also available in 24" width to match appearance of ACB45 (ACW)

Air Handling is represented by digit 14 in the model number

Coil Handling is represented by digit 16 in the model number

